

Ph Free

RoHS Compliant

### Features

- Reference frequency for telecommunication systems
- Reflow compatible
- Using ceramic package resulting in high reliability
- Small and low profile

### Applications

- Mobile Communications, Bluetooth, Wireless LAN
- Car audio and accessories

### How to Order

CX5032SB 26000

① ② ③ ④ ⑤ ⑥ ⑦

- ① Series                      ② Frequency  
③ Load Capacitance      ④ Frequency Stability

<b>DO</b>	8 pF	—	<b>F</b>	±10×10 <sup>-6</sup>	Std.
<b>FO</b>	10 pF	Std.	<b>G</b>	±15×10 <sup>-6</sup>	—
<b>HO</b>	12 pF	—			
<b>SO</b>	Series	—			

- ⑤ Operating Temp. Range    ⑥ Frequency Temp. Stability

<b>FF</b>	-20 to +70°C	±10×10 <sup>-6</sup>	—
<b>LJ</b>	-30 to +85°C	±15×10 <sup>-6</sup>	Std.

- ⑦ Individual Specification

### Specifications

Item	Symbol	Specification	Units	Remarks
Frequency Range	f <sub>nom</sub>	9800 to 49999	50 to 120 (MHz)	kHz
Overtone Order	OT	Fundamental	3rd. Overtone	—
Load Capacitance	CL	10		pF
Frequency Stability	f <sub>tol</sub>	±10		×10 <sup>-6</sup> 25°C±3°C
Motional Series Resistance	R1	Table 1		ohm
Drive Level	DL	Table 2		μW
Operating Temp. Range	T <sub>use</sub>	-30 to +85		°C
Storage Temp. Range	T <sub>stg</sub>	-40 to +85		°C
Frequency Temp. Characteristics	f <sub>tem</sub>	±15		×10 <sup>-6</sup> Freq. deviation from the value at 25°C

\* Please contact us for other specifications.

### Typical Frequencies and Part Numbers

Frequency (kHz)	Part Number
9843.750	CX5032SB09843F0FLJZ1
12000.000	CX5032SB12000F0FLJZ1
12800.000	CX5032SB12800F0FLJZ1
13000.000	CX5032SB13000F0FLJZ1
13560.000	CX5032SB13560F0FLJZ1
14400.000	CX5032SB14400F0FLJZ1
16000.000	CX5032SB16000F0FLJZ1
19200.000	CX5032SB19200F0FLJZ1
26000.000	CX5032SB26000F0FLJZ1
32000.000	CX5032SB32000F0FLJZ1
40000.000	CX5032SB40000F0FLJZ1
48000.000	CX5032SB48000F0FLJZ1

### Table1 Motional Series Resistance

Frequency Range	Motional Series Resistance
9800 to 9999kHz	150Ω max.
10000 to 11999kHz	80Ω max.
12000 to 25999kHz	50Ω max.
26000 to 49999kHz	40Ω max.
*50 to 120 (MHz)	80Ω max.

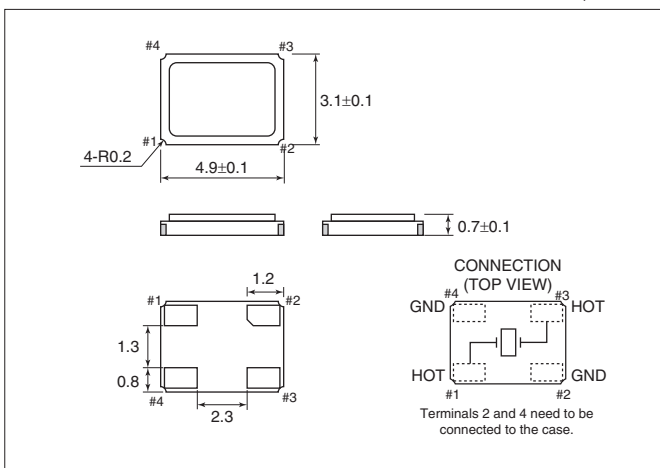
\* 3rd Overtone

### Table2 Level of Drive

Frequency Range	Level of Drive
9800 to 49999kHz	10μW (100μW max.)
50 to 120 (MHz)	

### Dimensions

(Unit: mm)



### Recommended Land Pattern

(Unit: mm)

